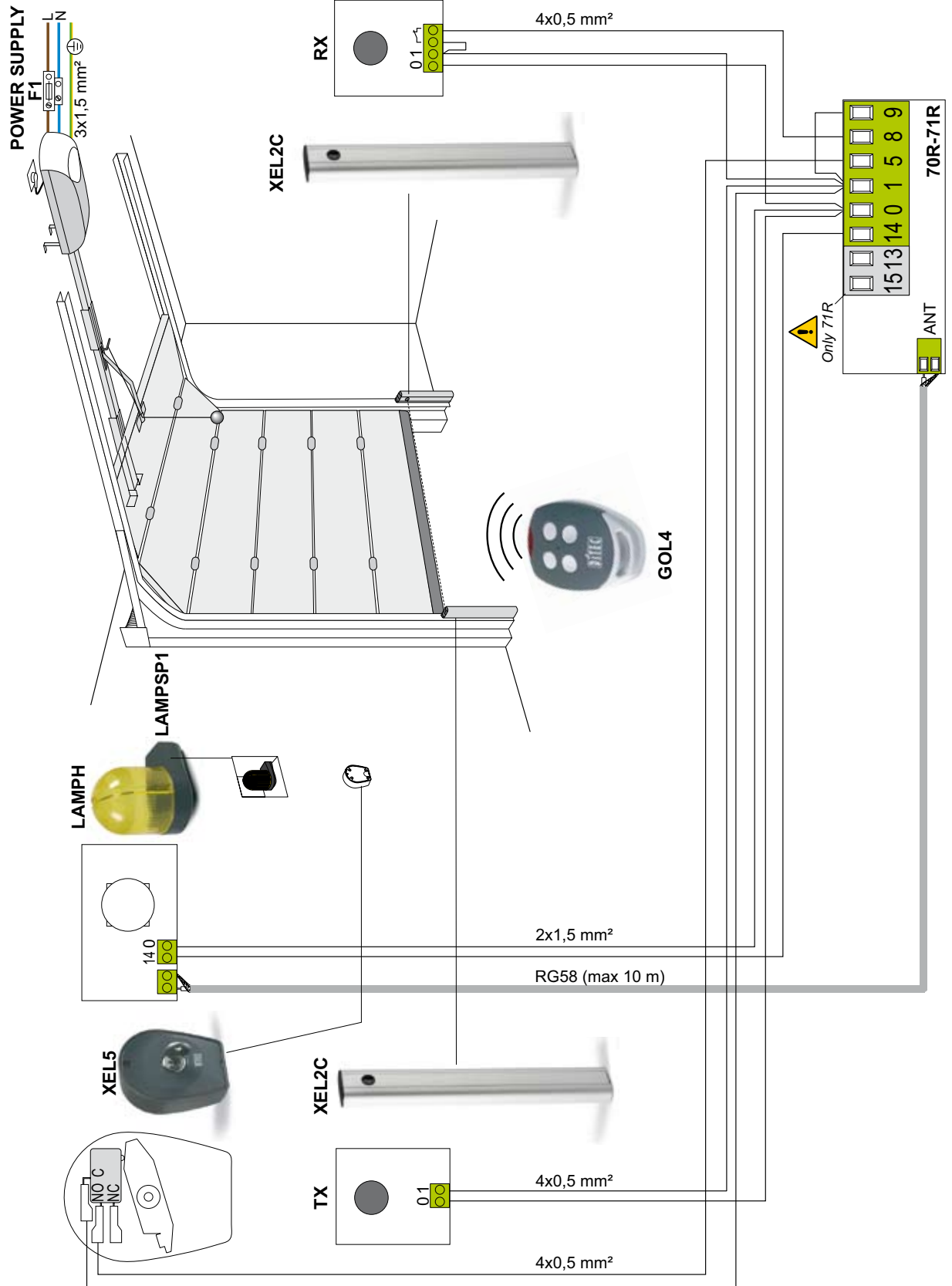


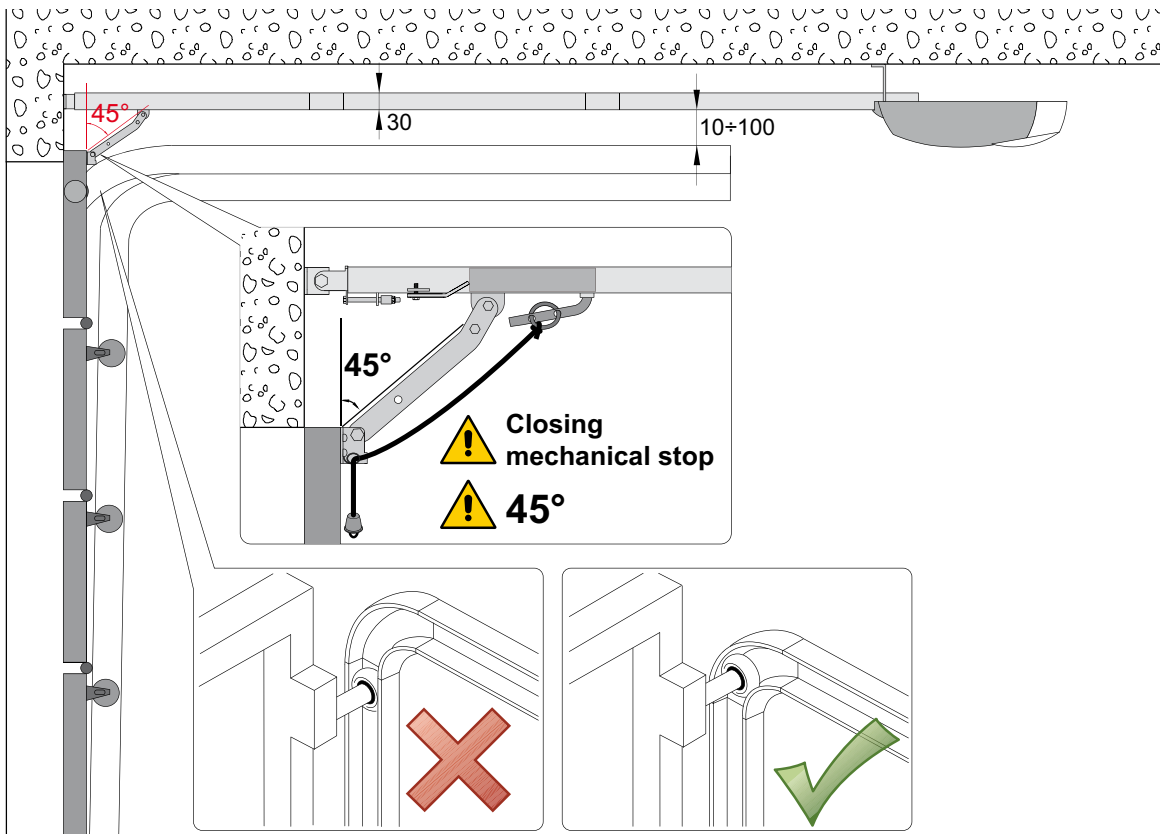
 Before installing the product, carefully read the instructions.

1. ELECTRICAL CONNECTIONS FOR STANDARD INSTALLATION

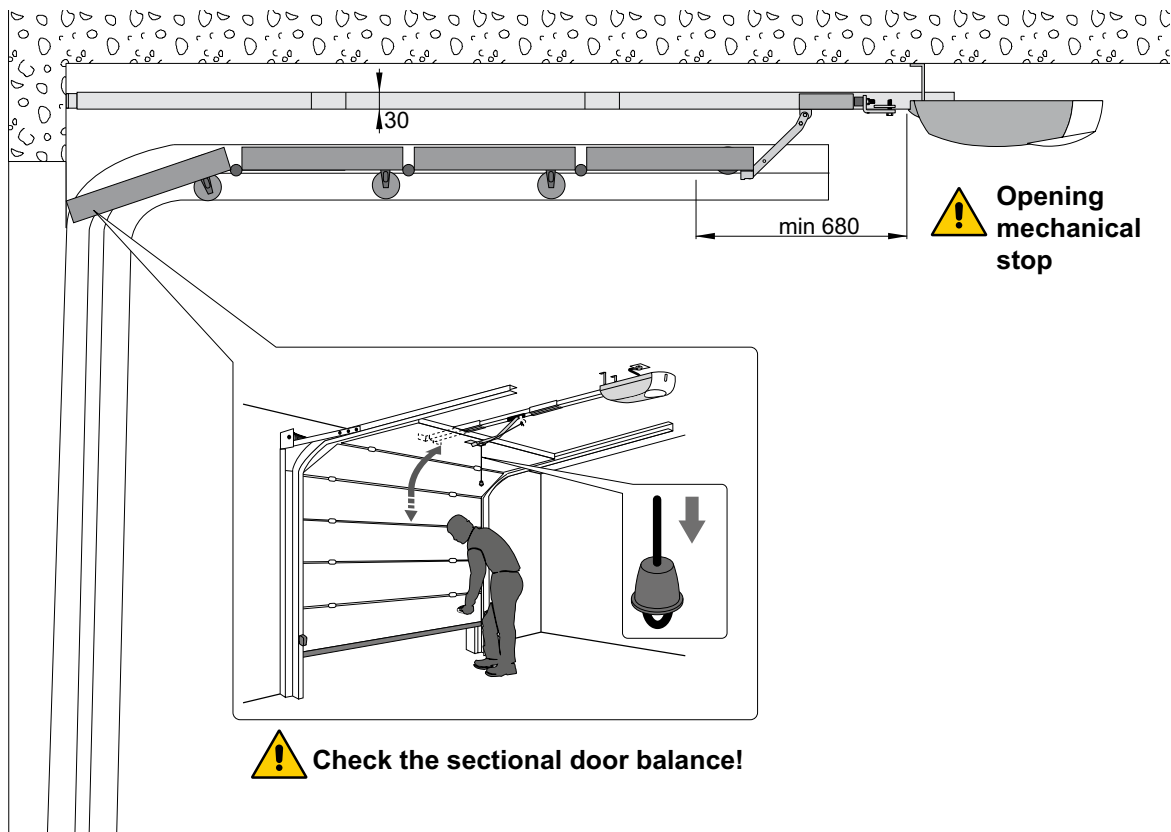


2. GLOBE INSTALLATION

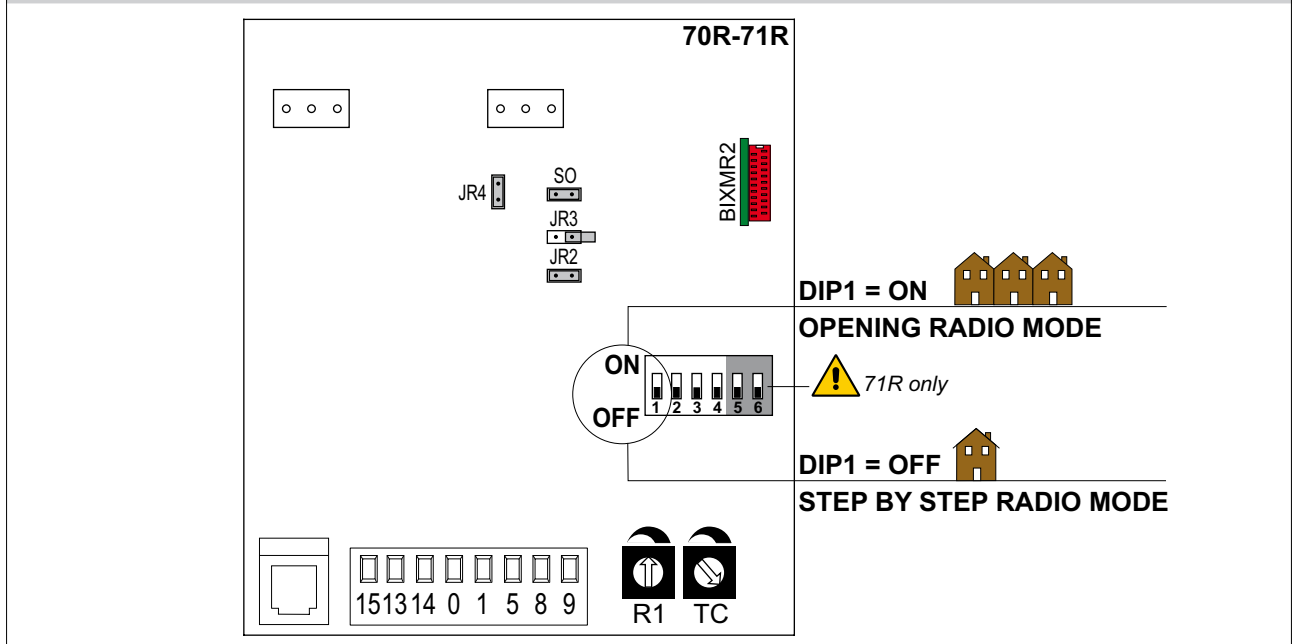
SECTIONAL DOOR CLOSING POSITION



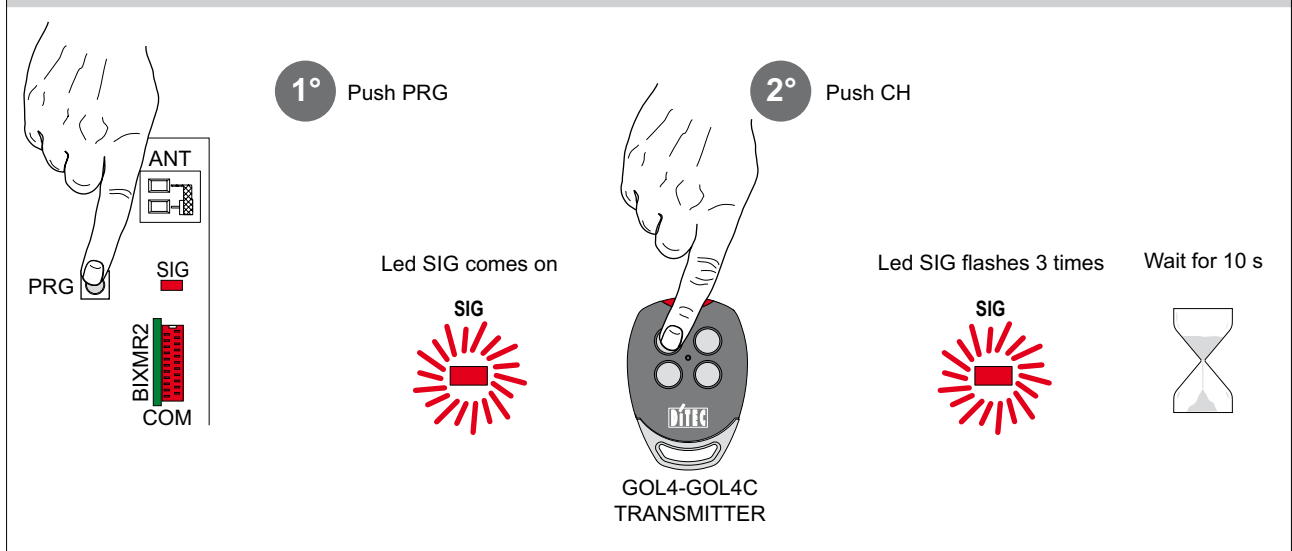
SECTIONAL DOOR OPENING POSITION



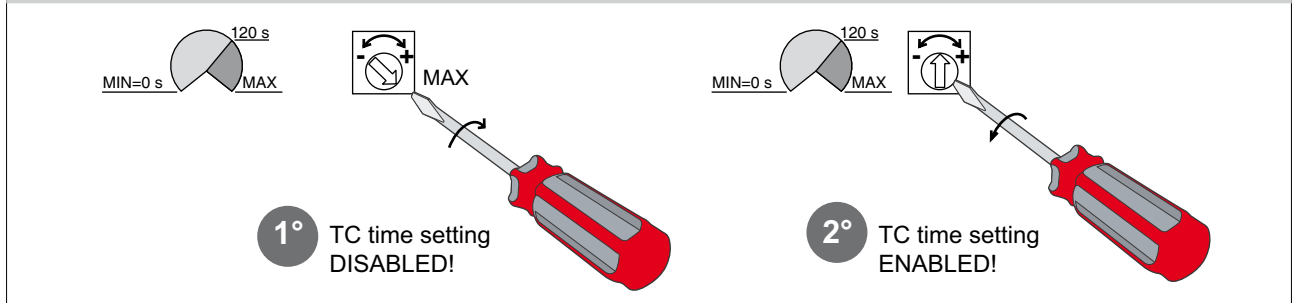
3. 70R-71R STANDARD SETTING



4. RADIO ENABLING



5. AUTOMATIC CLOSING SETTING



For different setting and further information consult the GLOBE automation instruction manual.



DITEC S.p.A.
 Via Mons. Banfi, 3
 21042 Caronno Pertusella (VA) - ITALY
 Tel. +39 02 963911 - Fax +39 02 9650314
 www.ditec.it - ditec@ditecva.com